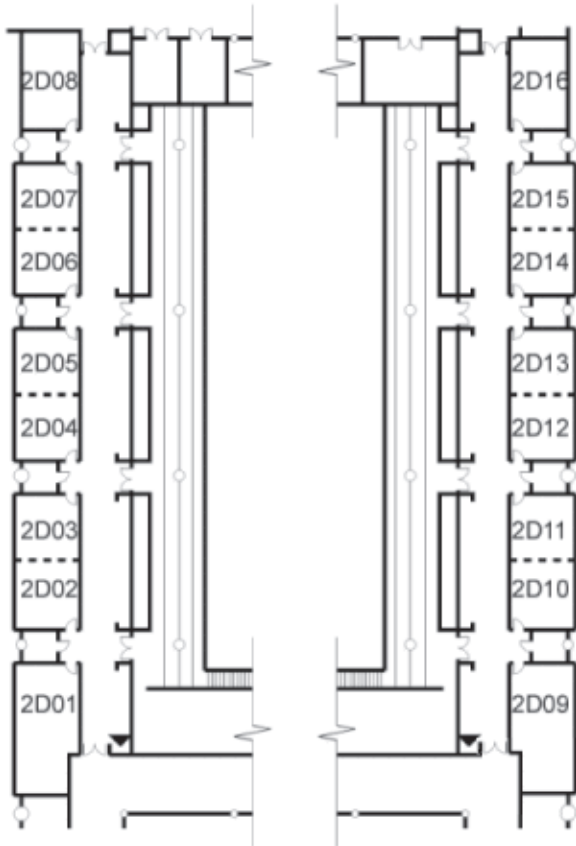


Meeting Room Floor Plans



Level 2

Rooms 2D01-2D16

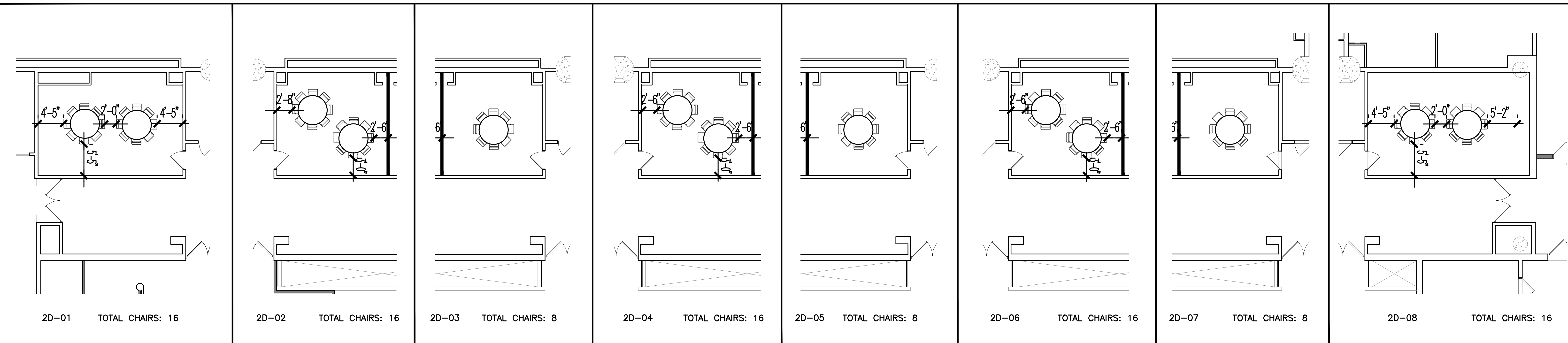


Meeting Room Capacities

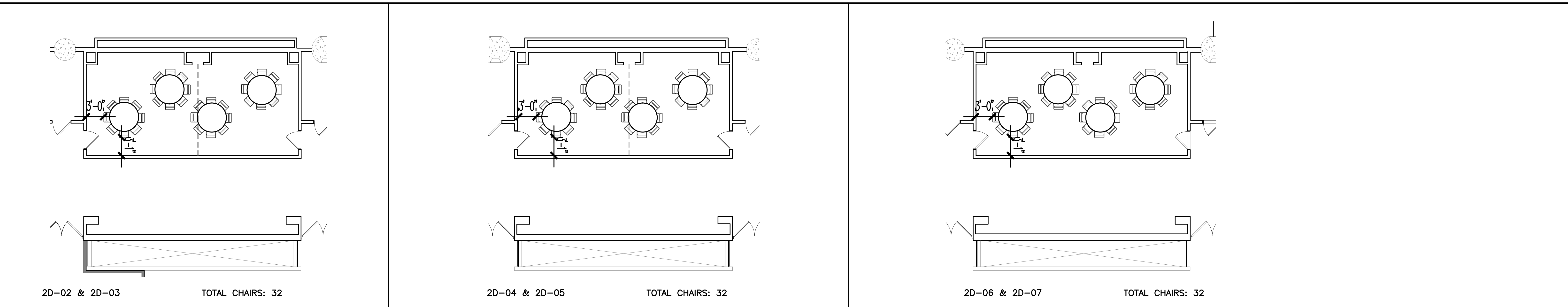
Room	Theatre	Classroom	Floor Dim. (feet)
2D01	35	15	15x24
2D02	35	15	18x20
2D03	35	15	18x20
2D04	35	15	18x20
2D05	35	15	18x20
2D06	35	15	18x20
2D07	35	15	18x20
2D08	50	20	28x18
2D09	40	20	25x18
2D10	35	15	18x18
2D11	35	15	18x18
2D12	35	15	18x18
2D13	35	15	18x18
2D14	35	15	18x18
2D15	35	15	18x18
2D16	40	20	25x18

- Ceiling Height - 8'-5" in all rooms.

2D NORTH MEETING ROOMS WITH PARTITIONS



2D SOUTH MEETING ROOMS WITHOUT PARTITIONS



NOTE: TOTAL CHAIR COUNT INCLUDES HANDICAPPED AND HEADTABLE.

The Jacob K. Javits Convention Center of New York
Meeting Room Layouts
655 W34th Street, New York, NY 10001

ARCHITECT: **dd**
di Domenico + Partners LLP
Architecture
Landscape Architecture
Planning
37-43 Crescent Street
Long Island City, New York 11101
Tel 212.337.0400
Fax 212.337.3567
ddp-ny.com

- LEGEND:**
- EXIT SIGN
 - OCCUPANCY SIGN
 - TABLE ZONE
 - MAXIMUM OCCUPANCY
 - ACTUAL OCCUPANCY
 - CHAIR
 - HANDICAPPED VIEWING POSITION

REV	DESCRIPTION	DATE

DRAWING TITLE :
**BANQUET ARRANGEMENT
2D SOUTH MEETING ROOMS**

PROJECT No : 16306
DRAWN BY : CE
CHECKED BY : AB
SCALE : 1/8" = 1'-0"
DRAWING No:
A602.00

P:\16306 - JKC - Meeting Room Layouts\7.0 Project Design\7.1 Drawings\Banquet\A-601-Banquet Style_North and South Meeting Rooms_2D.dwg 03/23/16 - 6:31pm

2D NORTH MEETING ROOMS WITH PARTITIONS

<p>2D-09 TOTAL CHAIRS: 16</p>	<p>2D-10 TOTAL CHAIRS: 16</p>	<p>2D-11 TOTAL CHAIRS: 8</p>	<p>2D-12 TOTAL CHAIRS: 16</p>	<p>2D-13 TOTAL CHAIRS: 8</p>	<p>2D-14 TOTAL CHAIRS: 16</p>	<p>2D-15 TOTAL CHAIRS: 8</p>	<p>2D-16 TOTAL CHAIRS: 16</p>
-------------------------------	-------------------------------	------------------------------	-------------------------------	------------------------------	-------------------------------	------------------------------	-------------------------------

2D NORTH MEETING ROOMS WITHOUT PARTITIONS

<p>2D-10 & 2D-11 TOTAL CHAIRS: 32</p>	<p>2D-12 & 2D-13 TOTAL CHAIRS: 32</p>	<p>2D-14 & 2D-15 TOTAL CHAIRS: 32</p>
---	---	---

NOTE: TOTAL CHAIR COUNT INCLUDES HANDICAPPED AND HEADTABLE.

The Jacob K. Javits Convention Center of New York
Meeting Room Layouts
655 W34th Street, New York, NY 10001

ARCHITECT: **di Domenico + Partners** LLP
Architecture
Landscape Architecture
Planning
37-43 Crescent Street
Long Island City, New York 11101
Tel 212.337.0400
Fax 212.337.3567
ddp-ny.com

- LEGEND:
- EXIT SIGN
 - OCCUPANCY SIGN
 - TABLE ZONE
 - MAXIMUM OCCUPANCY
 - ACTUAL OCCUPANCY
 - CHAIR
 - HANDICAPPED VIEWING POSITION

REV	DESCRIPTION	DATE

DRAWING TITLE :
BANQUET ARRANGEMENT
2D NORTH MEETING ROOMS

PROJECT No : 16306
DRAWN BY : CE
CHECKED BY : AB
SCALE : 1/8" = 1'-0"
DRAWING No:
A601.00

2D NORTH MEETING ROOMS WITH PARTITIONS

<p>2D-01 TOTAL CHAIRS: 19</p>	<p>2D-02 TOTAL CHAIRS: 14</p>	<p>2D-03 TOTAL CHAIRS: 14</p>	<p>2D-04 TOTAL CHAIRS: 14</p>	<p>2D-05 TOTAL CHAIRS: 14</p>	<p>2D-06 TOTAL CHAIRS: 14</p>	<p>2D-07 TOTAL CHAIRS: 14</p>	<p>2D-08 TOTAL CHAIRS: 19</p>
-------------------------------	-------------------------------	-------------------------------	-------------------------------	-------------------------------	-------------------------------	-------------------------------	-------------------------------

2D SOUTH MEETING ROOMS WITHOUT PARTITIONS

<p>2D-02 & 2D-03 TOTAL CHAIRS: 28</p>	<p>2D-04 & 2D-05 TOTAL CHAIRS: 28</p>	<p>2D-06 & 2D-07 TOTAL CHAIRS: 28</p>
---	---	---

NOTE: TOTAL CHAIR COUNT INCLUDES HANDICAPPED AND HEADTABLE.

The Jacob K. Javits Convention Center of New York
Meeting Room Layouts
655 W34th Street, New York, NY 10001

ARCHITECT:
di Domenico + Partners LLP
Architecture
Landscape Architecture
Planning
37-43 Crescent Street
Long Island City, New York 11101
Tel 212.337.0400
Fax 212.337.3567
ddp-ny.com

- LEGEND:**
- EXIT SIGN
 - OCCUPANCY SIGN
 - TABLE ZONE
 - MAXIMUM OCCUPANCY
 - ACTUAL OCCUPANCY
 - CHAIR
 - HANDICAPPED VIEWING POSITION

REV	DESCRIPTION	DATE

DRAWING TITLE :
**CLASSROOM ARRANGEMENT
2D SOUTH MEETING ROOMS**

PROJECT No: 16306
DRAWN BY: CE
CHECKED BY: AB
SCALE: 1/8" = 1'-0"
DRAWING No:
A602.00

2D NORTH MEETING ROOMS WITH PARTITIONS

2D-09 TOTAL CHAIRS: 19	2D-10 TOTAL CHAIRS: 14	2D-11 TOTAL CHAIRS: 14	2D-12 TOTAL CHAIRS: 14	2D-13 TOTAL CHAIRS: 14	2D-14 TOTAL CHAIRS: 14	2D-15 TOTAL CHAIRS: 14	2D-16 TOTAL CHAIRS: 19

2D NORTH MEETING ROOMS WITHOUT PARTITIONS

2D-10 & 2D-11 TOTAL CHAIRS: 28	2D-12 & 2D-13 TOTAL CHAIRS: 28	2D-14 & 2D-15 TOTAL CHAIRS: 28

NOTE: TOTAL CHAIR COUNT INCLUDES HANDICAPPED AND HEADTABLE.

The Jacob K. Javits Convention Center of New York
Meeting Room Layouts
655 W34th Street, New York, NY 10001

ARCHITECT: **di Domenico + Partners** LLP
Architecture
Landscape Architecture
Planning
37-43 Crescent Street
Long Island City, New York 11101
Tel 212.337.0400
Fax 212.337.3567
ddp-ny.com

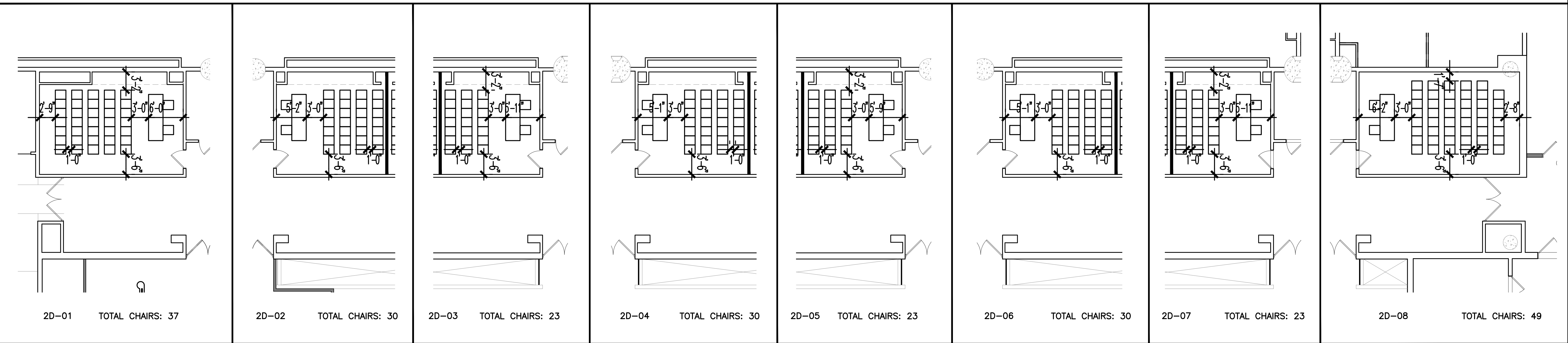
- LEGEND:**
- ⊙ EXIT SIGN
 - ⊞ OCCUPANCY SIGN
 - TABLE ZONE
 - MAXIMUM OCCUPANCY
 - ACTUAL OCCUPANCY
 - CHAIR
 - H HANDICAPPED VIEWING POSITION

REV	DESCRIPTION	DATE

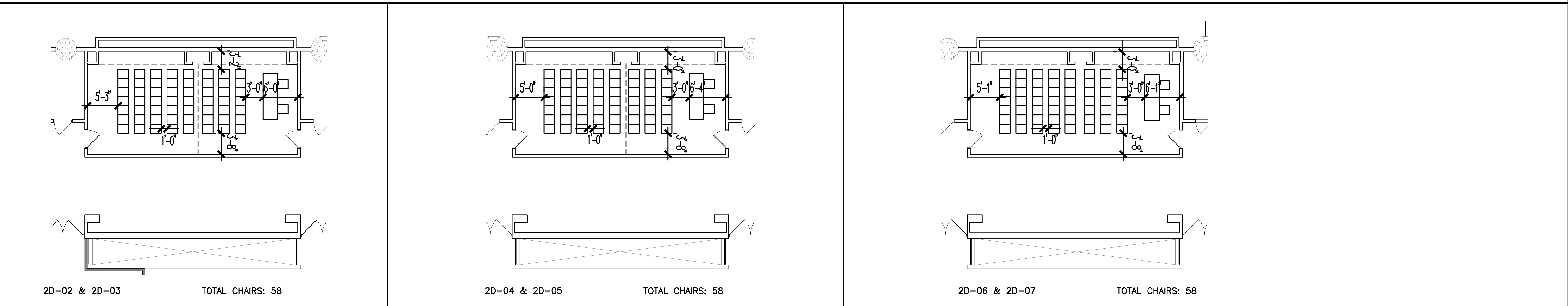
DRAWING TITLE :
**CLASSROOM ARRANGEMENT
2D NORTH MEETING ROOMS**

PROJECT No : 16306
DRAWN BY : CE
CHECKED BY : AB
SCALE : 1/8" = 1'-0"
DRAWING No:
A601.00

2D NORTH MEETING ROOMS WITH PARTITIONS



2D SOUTH MEETING ROOMS WITHOUT PARTITIONS



NOTE: TOTAL CHAIR COUNT INCLUDES HANDICAPPED AND HEADTABLE.

The Jacob K. Javits Convention Center of New York
Meeting Room Layouts
655 W34th Street, New York, NY 10001

ARCHITECT: **di Domenico + Partners** LLP
Architecture
Landscape Architecture
Planning
37-43 Crescent Street
Long Island City, New York 11101
Tel 212.337.0400
Fax 212.337.3567
ddp-ny.com

- LEGEND:**
- EXIT SIGN
 - OCCUPANCY SIGN
 - TABLE ZONE
 - MAXIMUM OCCUPANCY
 - ACTUAL OCCUPANCY
 - CHAIR
 - HANDICAPPED VIEWING POSITION

REV	DESCRIPTION	DATE

DRAWING TITLE :
**THEATER/MEETING
ARRANGEMENT
2D SOUTH MEETING ROOMS**

PROJECT No : 16306
DRAWN BY : CE
CHECKED BY : AB
SCALE : 1/8" = 1'-0"
DRAWING No :
A602.00

